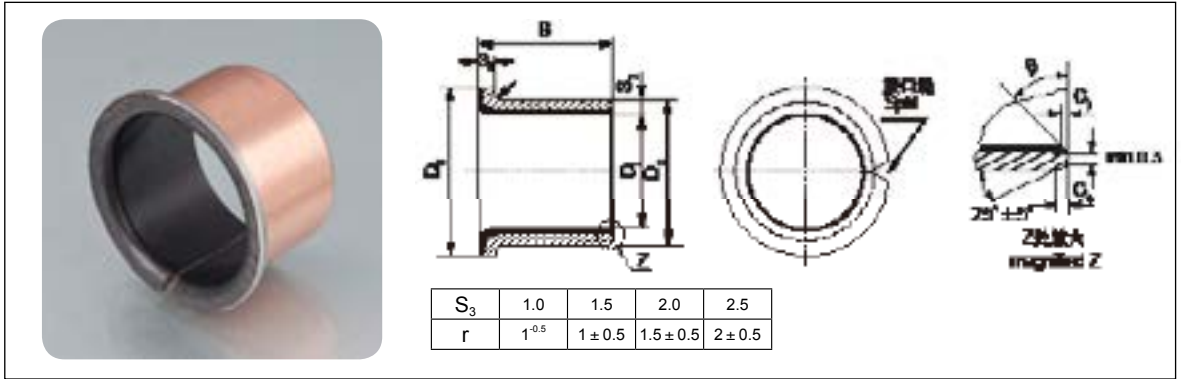


**SF-1F 标准公制翻边轴套**  
**SF-1F Normal Metric Flange Bushing**



| 型号规格<br>Designation | 轴径<br>$D_s$ | 座孔(H7)<br>$D_H$ | 外径公差<br>$D_O$ | 压装后<br>内孔公差<br>$D_{i,a}$ | 配合间隙<br>$C_O$  | 壁厚<br>$S_3$    | 尺寸             |       |                  |                |                |    |                |                |                |    |                |                |                |                |                |    |                |    |                |    |                |                |    |    |    |                |    |                |                |    |    |    |                |    |                |    |                |                |    |    |    |                |    |                |                |    |    |    |                |    |                |    |                |    |      |    |    |    |    |    |                |
|---------------------|-------------|-----------------|---------------|--------------------------|----------------|----------------|----------------|-------|------------------|----------------|----------------|----|----------------|----------------|----------------|----|----------------|----------------|----------------|----------------|----------------|----|----------------|----|----------------|----|----------------|----------------|----|----|----|----------------|----|----------------|----------------|----|----|----|----------------|----|----------------|----|----------------|----------------|----|----|----|----------------|----|----------------|----------------|----|----|----|----------------|----|----------------|----|----------------|----|------|----|----|----|----|----|----------------|
|                     |             |                 |               |                          |                |                | $D_i$          | $D_o$ | $D_{ii} \pm 0.5$ | $B \pm 0.25$   | $S_{ii} - 0.2$ |    |                |                |                |    |                |                |                |                |                |    |                |    |                |    |                |                |    |    |    |                |    |                |                |    |    |    |                |    |                |    |                |                |    |    |    |                |    |                |                |    |    |    |                |    |                |    |                |    |      |    |    |    |    |    |                |
| SF-1F 06040         | 6           | 8               | 8             | 6.055                    | 0.077          | 1.005<br>0.980 | 6              | 8     | 12               | 4              | 1              |    |                |                |                |    |                |                |                |                |                |    |                |    |                |    |                |                |    |    |    |                |    |                |                |    |    |    |                |    |                |    |                |                |    |    |    |                |    |                |                |    |    |    |                |    |                |    |                |    |      |    |    |    |    |    |                |
| SF-1F 06070         |             |                 |               | 5.990                    | 0.000          |                |                |       |                  | 7              |                |    |                |                |                |    |                |                |                |                |                |    |                |    |                |    |                |                |    |    |    |                |    |                |                |    |    |    |                |    |                |    |                |                |    |    |    |                |    |                |                |    |    |    |                |    |                |    |                |    |      |    |    |    |    |    |                |
| SF-1F 08055         | 8           | 10              | 10            | 8.055                    | 0.083          |                |                |       |                  | 0.092<br>0.006 |                | 8  | 10             | 15             | 5.5            |    |                |                |                |                |                |    |                |    |                |    |                |                |    |    |    |                |    |                |                |    |    |    |                |    |                |    |                |                |    |    |    |                |    |                |                |    |    |    |                |    |                |    |                |    |      |    |    |    |    |    |                |
| SF-1F 08075         |             |                 |               | 7.990                    | 0.003          |                |                |       |                  |                |                |    |                |                | 7.5            |    |                |                |                |                |                |    |                |    |                |    |                |                |    |    |    |                |    |                |                |    |    |    |                |    |                |    |                |                |    |    |    |                |    |                |                |    |    |    |                |    |                |    |                |    |      |    |    |    |    |    |                |
| SF-1F 10070         | 10          | 12              | 12            | 10.058                   | 0.086          |                |                |       |                  |                |                |    |                |                | 0.095<br>0.006 | 10 | 12             | 18             | 7              |                |                |    |                |    |                |    |                |                |    |    |    |                |    |                |                |    |    |    |                |    |                |    |                |                |    |    |    |                |    |                |                |    |    |    |                |    |                |    |                |    |      |    |    |    |    |    |                |
| SF-1F 10090         |             |                 |               | 9.990                    | 0.003          |                |                |       |                  |                |                |    |                |                |                |    |                |                | 9              |                |                |    |                |    |                |    |                |                |    |    |    |                |    |                |                |    |    |    |                |    |                |    |                |                |    |    |    |                |    |                |                |    |    |    |                |    |                |    |                |    |      |    |    |    |    |    |                |
| SF-1F 10120         |             |                 |               | 9.990                    | 0.003          |                |                |       |                  |                |                |    |                |                |                |    |                |                | 12             |                |                |    |                |    |                |    |                |                |    |    |    |                |    |                |                |    |    |    |                |    |                |    |                |                |    |    |    |                |    |                |                |    |    |    |                |    |                |    |                |    |      |    |    |    |    |    |                |
| SF-1F 12070         | 12          | 14              | 14            | 12.058                   | 0.112<br>0.010 |                |                |       |                  |                |                |    |                |                |                |    |                |                | 1.505<br>1.475 | 12             | 14             | 20 | 7              |    |                |    |                |                |    |    |    |                |    |                |                |    |    |    |                |    |                |    |                |                |    |    |    |                |    |                |                |    |    |    |                |    |                |    |                |    |      |    |    |    |    |    |                |
| SF-1F 12090         |             |                 |               | 11.990                   |                |                |                |       |                  |                |                |    |                |                |                |    |                |                |                |                |                |    | 0.092<br>0.006 | 12 | 9              |    |                |                |    |    |    |                |    |                |                |    |    |    |                |    |                |    |                |                |    |    |    |                |    |                |                |    |    |    |                |    |                |    |                |    |      |    |    |    |    |    |                |
| SF-1F 12120         |             |                 |               | 11.990                   |                |                |                |       |                  |                |                |    |                |                |                |    |                |                |                |                |                |    |                |    | 0.095<br>0.006 | 12 | 12             |                |    |    |    |                |    |                |                |    |    |    |                |    |                |    |                |                |    |    |    |                |    |                |                |    |    |    |                |    |                |    |                |    |      |    |    |    |    |    |                |
| SF-1F 14120         | 14          | 16              | 16            | 14.058                   |                |                |                |       |                  |                |                |    |                |                |                |    |                |                |                |                |                |    |                |    |                |    | 0.126<br>0.010 | 1.505<br>1.475 | 14 | 16 | 22 | 12             |    |                |                |    |    |    |                |    |                |    |                |                |    |    |    |                |    |                |                |    |    |    |                |    |                |    |                |    |      |    |    |    |    |    |                |
| SF-1F 14170         |             |                 |               | 13.990                   |                |                |                |       |                  |                |                |    |                |                |                |    |                |                |                |                |                |    |                |    |                |    |                |                |    |    |    | 0.095<br>0.006 | 14 | 17             |                |    |    |    |                |    |                |    |                |                |    |    |    |                |    |                |                |    |    |    |                |    |                |    |                |    |      |    |    |    |    |    |                |
| SF-1F 15090         | 15          | 17              | 17            | 15.058                   |                |                |                |       |                  |                |                |    |                |                |                |    |                |                |                |                |                |    |                |    |                |    |                |                |    |    |    |                |    | 0.135<br>0.015 | 2.005<br>1.970 | 15 | 17 | 23 | 9              |    |                |    |                |                |    |    |    |                |    |                |                |    |    |    |                |    |                |    |                |    |      |    |    |    |    |    |                |
| SF-1F 15120         |             |                 |               | 14.990                   |                |                |                |       |                  |                |                |    |                |                |                |    |                |                |                |                |                |    |                |    |                |    |                |                |    |    |    |                |    |                |                |    |    |    | 0.135<br>0.015 | 15 | 12             |    |                |                |    |    |    |                |    |                |                |    |    |    |                |    |                |    |                |    |      |    |    |    |    |    |                |
| SF-1F 15170         |             |                 |               | 14.990                   |                |                |                |       |                  |                |                |    |                |                |                |    |                |                |                |                |                |    |                |    |                |    |                |                |    |    |    |                |    |                |                |    |    |    |                |    | 0.135<br>0.015 | 15 | 17             |                |    |    |    |                |    |                |                |    |    |    |                |    |                |    |                |    |      |    |    |    |    |    |                |
| SF-1F 16120         | 16          | 18              | 18            | 16.058                   |                |                |                |       |                  |                |                |    |                |                |                |    |                |                |                |                |                |    |                |    |                |    |                |                |    |    |    |                |    |                |                |    |    |    |                |    |                |    | 0.135<br>0.015 | 2.005<br>1.970 | 16 | 18 | 24 | 12             |    |                |                |    |    |    |                |    |                |    |                |    |      |    |    |    |    |    |                |
| SF-1F 16170         |             |                 |               | 15.990                   |                |                |                |       |                  |                |                |    |                |                |                |    |                |                |                |                |                |    |                |    |                |    |                |                |    |    |    |                |    |                |                |    |    |    |                |    |                |    |                |                |    |    |    | 0.135<br>0.015 | 16 | 17             |                |    |    |    |                |    |                |    |                |    |      |    |    |    |    |    |                |
| SF-1F 18120         | 18          | 20              | 20            | 18.061                   |                |                |                |       |                  |                |                |    |                |                |                |    |                |                |                |                |                |    |                |    |                |    |                |                |    |    |    |                |    |                |                |    |    |    |                |    |                |    |                |                |    |    |    |                |    | 0.135<br>0.015 | 2.005<br>1.970 | 18 | 20 | 26 | 12             |    |                |    |                |    |      |    |    |    |    |    |                |
| SF-1F 18170         |             |                 |               | 17.990                   |                |                |                |       |                  |                |                |    |                |                |                |    |                |                |                |                |                |    |                |    |                |    |                |                |    |    |    |                |    |                |                |    |    |    |                |    |                |    |                |                |    |    |    |                |    |                |                |    |    |    | 0.135<br>0.015 | 18 | 17             |    |                |    |      |    |    |    |    |    |                |
| SF-1F 18200         |             |                 |               | 17.990                   |                |                |                |       |                  |                |                |    |                |                |                |    |                |                |                |                |                |    |                |    |                |    |                |                |    |    |    |                |    |                |                |    |    |    |                |    |                |    |                |                |    |    |    |                |    |                |                |    |    |    |                |    | 0.135<br>0.015 | 18 | 20             |    |      |    |    |    |    |    |                |
| SF-1F 20115         | 20          | 23              | 23            | 20.071                   |                | 0.135<br>0.015 | 2.005<br>1.970 | 20    | 23               |                | 30             |    |                |                |                |    |                |                |                |                |                |    |                |    |                |    |                |                |    |    |    |                |    |                |                |    |    |    |                |    |                |    |                |                |    |    |    |                |    |                |                |    |    |    |                |    |                |    | 11.5           |    |      |    |    |    |    |    |                |
| SF-1F 20165         |             |                 |               | 19.990                   |                |                |                |       |                  |                |                |    |                |                |                |    |                |                |                |                |                |    |                |    |                |    |                |                |    |    |    |                |    |                |                |    |    |    |                |    |                |    |                |                |    |    |    |                |    |                |                |    |    |    |                |    |                |    | 0.135<br>0.015 | 20 | 16.5 |    |    |    |    |    |                |
| SF-1F 20215         |             |                 |               | 19.990                   |                |                |                |       |                  | 0.135<br>0.015 |                | 20 | 21.5           |                |                |    |                |                |                |                |                |    |                |    |                |    |                |                |    |    |    |                |    |                |                |    |    |    |                |    |                |    |                |                |    |    |    |                |    |                |                |    |    |    |                |    |                |    |                |    |      |    |    |    |    |    |                |
| SF-1F 22150         | 22          | 25              | 25            | 22.071                   |                |                |                |       |                  |                |                |    | 0.135<br>0.015 | 2.005<br>1.970 |                |    |                |                |                |                |                |    |                |    |                |    |                |                |    |    |    |                |    |                |                |    |    |    |                |    |                |    |                |                |    |    |    |                |    |                |                |    |    |    |                |    |                |    |                |    | 22   | 25 | 32 | 15 |    |    |                |
| SF-1F 22200         |             |                 |               | 21.990                   |                |                |                |       |                  |                |                |    |                |                | 0.135<br>0.015 | 22 | 20             |                |                |                |                |    |                |    |                |    |                |                |    |    |    |                |    |                |                |    |    |    |                |    |                |    |                |                |    |    |    |                |    |                |                |    |    |    |                |    |                |    |                |    |      |    |    |    |    |    |                |
| SF-1F 25115         | 25          | 28              | 28            | 25.071                   |                |                |                |       |                  |                |                |    |                |                |                |    | 0.135<br>0.015 | 2.005<br>1.970 |                |                |                |    |                |    |                |    |                |                |    |    |    |                |    |                |                |    |    |    |                |    |                |    |                |                |    |    |    |                |    |                |                |    |    |    |                |    |                |    |                |    |      |    |    | 25 | 28 | 35 | 11.5           |
| SF-1F 25165         |             |                 |               | 24.990                   |                |                |                |       |                  |                |                |    |                |                |                |    |                |                |                |                |                |    |                |    |                |    |                |                |    |    |    |                |    |                |                |    |    |    |                |    |                |    |                |                |    |    |    |                |    |                |                |    |    |    |                |    |                |    |                |    |      |    |    |    |    |    | 0.135<br>0.015 |
| SF-1F 25215         |             |                 |               | 24.990                   | 0.135<br>0.015 |                |                |       |                  |                |                |    |                |                |                |    |                |                | 25             | 21.5           |                |    |                |    |                |    |                |                |    |    |    |                |    |                |                |    |    |    |                |    |                |    |                |                |    |    |    |                |    |                |                |    |    |    |                |    |                |    |                |    |      |    |    |    |    |    |                |
| SF-1F 30160         | 30          | 34              | 34            | 30.285                   |                |                |                |       |                  |                |                |    |                |                |                |    |                |                |                | 0.135<br>0.015 | 2.005<br>1.970 | 30 | 34             | 42 |                |    |                |                |    |    |    |                |    |                |                |    |    |    |                |    |                |    |                |                |    |    |    |                |    |                |                |    |    |    |                |    |                |    |                |    |      |    |    |    |    |    |                |
| SF-1F 30260         |             |                 |               | 29.990                   |                |                |                |       |                  |                |                |    |                |                |                |    |                |                |                |                |                |    |                |    | 0.135<br>0.015 | 30 |                |                |    |    |    |                |    |                |                |    |    |    |                |    |                |    |                |                |    |    |    |                |    |                |                |    |    |    |                |    |                |    |                |    |      |    |    |    |    |    |                |
| SF-1F 35160         | 35          | 39              | 39            | 35.085                   |                |                |                |       |                  |                |                |    |                |                |                |    |                |                |                |                |                |    |                |    |                |    | 0.135<br>0.015 | 2.005<br>1.970 | 35 | 39 | 47 |                |    |                |                |    |    |    |                |    |                |    |                |                |    |    |    |                |    |                |                |    |    |    |                |    |                |    |                |    |      |    |    |    |    |    |                |
| SF-1F 35260         |             |                 |               | 34.990                   |                |                |                |       |                  |                |                |    |                |                |                |    |                |                |                |                |                |    |                |    |                |    |                |                |    |    |    | 0.135<br>0.015 | 35 |                |                |    |    |    |                |    |                |    |                |                |    |    |    |                |    |                |                |    |    |    |                |    |                |    |                |    |      |    |    |    |    |    |                |
| SF-1F 40260         |             |                 |               | 34.990                   |                |                |                |       |                  |                |                |    |                |                |                |    |                |                |                |                |                |    |                |    |                |    |                |                |    |    |    |                |    | 0.135<br>0.015 | 35             | 26 |    |    |                |    |                |    |                |                |    |    |    |                |    |                |                |    |    |    |                |    |                |    |                |    |      |    |    |    |    |    |                |
| SF-1F 40400         | 39.990      | 0.135<br>0.015  | 40            | 40                       |                |                |                |       |                  |                |                |    |                |                |                |    |                |                |                |                |                |    |                |    |                |    |                |                |    |    |    |                |    |                |                |    |    |    |                |    |                |    |                |                |    |    |    |                |    |                |                |    |    |    |                |    |                |    |                |    |      |    |    |    |    |    |                |