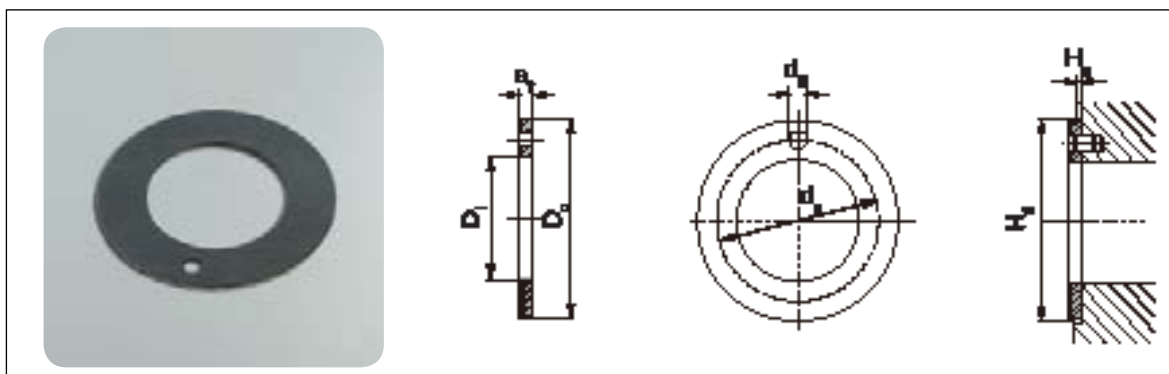


**SF-1WC 标准公制垫片**  
**SF-1WC Normal Metric Washer**



型号规格	轴径 D <sub>s</sub>	垫片尺寸				安装尺寸		H <sub>d</sub> +0.12
		D <sub>T</sub> +0.25	D <sub>O</sub> -0.25	S <sub>T</sub> -0.05	d <sub>p</sub> ±0.125	d <sub>b</sub> <sup>+0.4</sup> / <sub>+0.1</sub>	H <sub>a</sub> ±0.2	
SF-1WC 10	8	10	20	1.5	15	1.5	1	20
SF-1WC 12	10	12	24		18			
SF-1WC 14	12	14	26		20			
SF-1WC 16	14	16	30		23	2		30
SF-1WC 18	16	18	32		25			32
SF-1WC 20	18	20	36		28	3		36
SF-1WC 22	20	22	38		30			38
SF-1WC 24	22	24	42		33			42
SF-1WC 26	24	26	44		35			44
SF-1WC 28	26	28	48		38			48
SF-1WC 32	30	32	54		43			54
SF-1WC 38	36	38	62		50	4		62
SF-1WC 42	40	42	66		54			66
SF-1WC 48	46	48	74		61			1.5
SF-1WC 52	50	52	78	65	78			
SF-1WC 62	60	62	90	76	90			