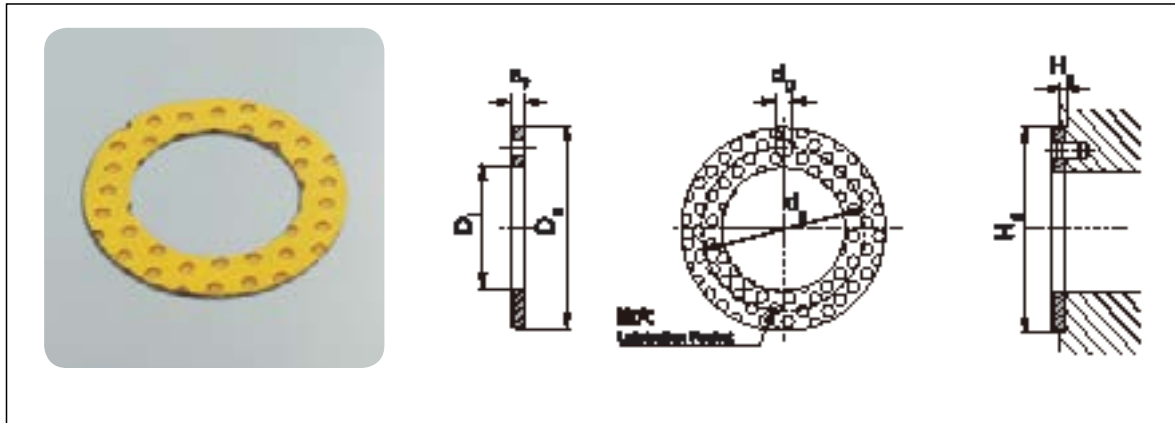


SF-2WC 标准公制垫片
SF-2WC Normal Metric Washer



※标准垫片标注方式：Standard Washer Label Mode SF-2WC 10

单位unit:mm

| 型号规格 | 轴径 D_s | 垫片尺寸 | | | | 安装尺寸 | | $H_0+0.12$ |
|-----------|-------------|------------|------------|------------|-----------------|--|---------------|------------|
| | | $D_i+0.25$ | $D_o-0.25$ | $S_T-0.05$ | $d_p \pm 0.125$ | $d_b \begin{smallmatrix} +0.4 \\ +0.1 \end{smallmatrix}$ | $H_a \pm 0.2$ | |
| SF-2WC 10 | 8 | 10 | 20 | 1.5 | 15 | 1.5 | 1 | 20 |
| SF-2WC 12 | 10 | 12 | 24 | | 18 | | | 24 |
| SF-2WC 14 | 12 | 14 | 26 | | 20 | 26 | | |
| SF-2WC 16 | 14 | 16 | 30 | | 23 | 2 | | 30 |
| SF-2WC 18 | 16 | 18 | 32 | | 25 | | | 32 |
| SF-2WC 20 | 18 | 20 | 36 | | 28 | 3 | | 36 |
| SF-2WC 22 | 20 | 22 | 38 | | 30 | | | 38 |
| SF-2WC 24 | 22 | 24 | 42 | | 33 | | | 42 |
| SF-2WC 26 | 24 | 26 | 44 | | 35 | | | 44 |
| SF-2WC 28 | 26 | 28 | 48 | | 38 | 4 | | 48 |
| SF-2WC 32 | 30 | 32 | 54 | | 43 | | | 54 |
| SF-2WC 38 | 36 | 38 | 62 | | 50 | | | 62 |
| SF-2WC 42 | 40 | 42 | 66 | 54 | 66 | | | |
| SF-2WC 48 | 46 | 48 | 74 | 61 | 1.5 | | 74 | |
| SF-2WC 52 | 50 | 52 | 78 | 65 | | | 78 | |
| SF-2WC 62 | 60 | 62 | 90 | 76 | | 90 | | |