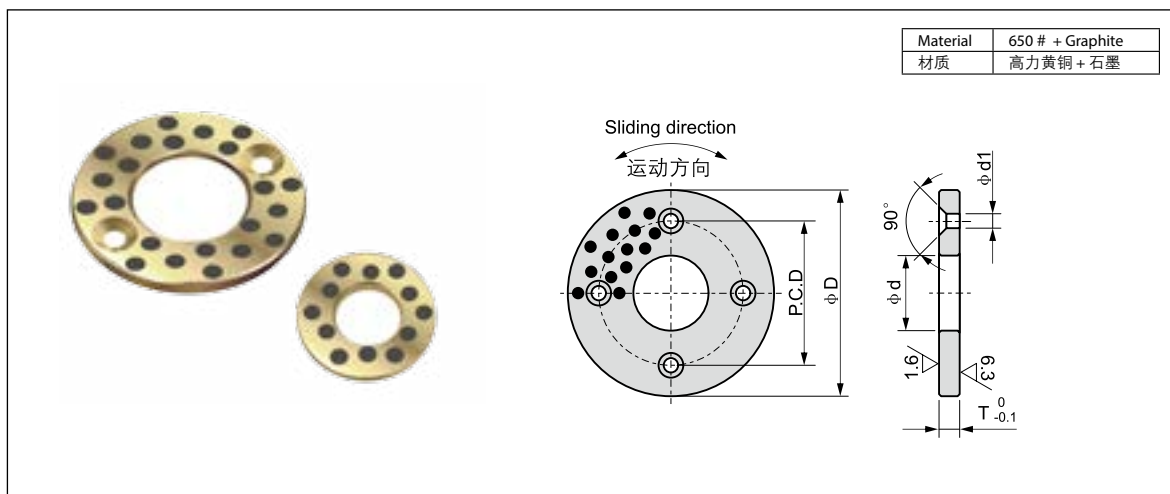


**FYB500-C 标准止推垫片**  
**FYB500-C Oilless Thrust Washer**



单位unit:mm

型号规格 Standard No.	I.D. Ø d 内径		O.D. Ø D 外径	厚度 Thickness		螺丝孔 Screw Holes			
						P.C.D	Number of Holes 数量	Flat Head Screw 规格	d1
FYB500-C-0603	6.2		25			15	2	M3	3.5
FYB500-C-0803	8.2		28		18				
FYB500-C-1003	10.2		30		20				
FYB500-C-1203	12.2		40		28				
FYB500-C-1203N	-		-			Without flat head screw hole 无定位孔			
FYB500-C-1303	13.2		-	3		28	2	M3	3.5
FYB500-C-1403	14.2		-		-				
FYB500-C-1503	15.2		50		35				
FYB500-C-1603	16.2	+0.2 +0.1	-		-				
FYB500-C-1603N	-		-			Without flat head screw hole 无定位孔			
FYB500-C-1803	18.2		-			35		M3	3.5
FYB500-C-2005	20.2		-			-	2	M5	6
FYB500-C-2505	25.2		55	5	40				
FYB500-C-3005	30.2		60		45				
FYB500-C-3505	35.2		70		50				
FYB500-C-4007	40.2		80	7		60	M6	7	
FYB500-C-4507	45.2		90		70				
FYB500-C-5008	50.3		100		75				
FYB500-C-5508	55.3		110	8	85				
FYB500-C-6008	60.3		120		90	4	M8	9	
FYB500-C-6508	65.3		125		95				
FYB500-C-7010	70.3	+0.3 +0.1	130		100				
FYB500-C-7510	75.3		140		110				
FYB500-C-8010	80.3		150	10		120	M10	11	
FYB500-C-9010	90.5		170		140				
FYB500-C-10010	100.5		190		160				
FYB500-C-12010	120.5		200		175				