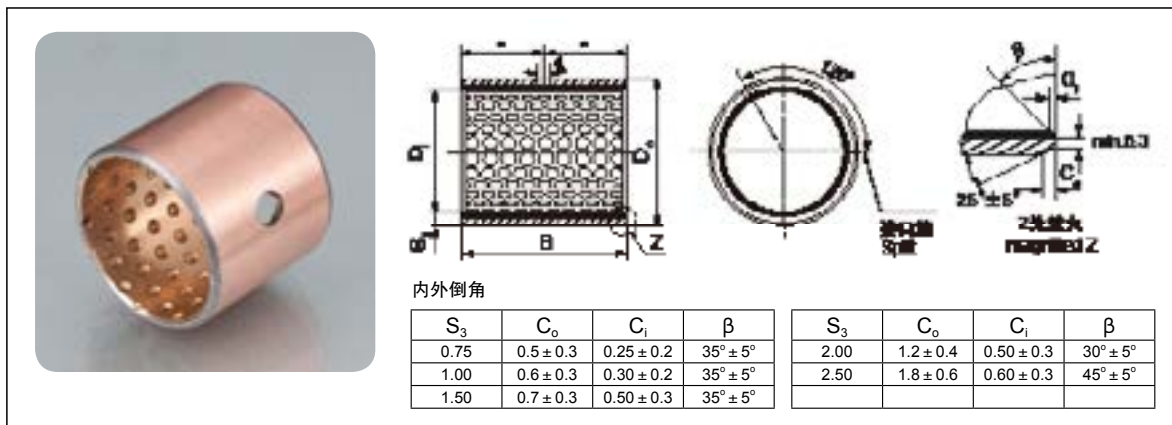


**JF 标准公制轴套**  
**JF Normal Metric Bushing**



※标准直套标注方式: Standard Bushing Label Mode FYB-800

单位unit:mm

型号规格 Designation	D <sub>i</sub>	D <sub>o</sub>	轴径(h8) D <sub>s</sub>	座(H7) D <sub>H</sub>	压装后 内孔公差 D <sub>ia</sub>	配合间隙 C <sub>D</sub>	壁厚 S <sub>3</sub>	油孔 d <sub>L</sub>	B <sup>0</sup> <sub>0.40</sub>								
									10	15	20	25	30	40	50		
JF-800	10	12	10 <sub>-0.022</sub>	12 <sup>+0.018</sup>	+0.148 +0.010	0.170 0.010	0.995 0.935	4	1010	1015	1020						
JF-800	12	14	12 <sub>-0.027</sub>	14 <sup>+0.018</sup>		0.175 0.010			1210	1215	1220						
JF-800	14	16	14 <sub>-0.027</sub>	16 <sup>+0.018</sup>					1410	1415	1420						
JF-800	15	17	15 <sub>-0.027</sub>	17 <sup>+0.018</sup>					1510	1515	1520						
JF-800	16	18	16 <sub>-0.027</sub>	18 <sup>+0.018</sup>					1610	1615	1620						
JF-800	18	20	18 <sub>-0.027</sub>	20 <sup>+0.021</sup>	+0.151 +0.010	0.178 0.010			1810	1815	1820	1825					
JF-800	20	23	20 <sub>-0.033</sub>	23 <sup>+0.021</sup>	+0.161 +0.020	0.194 0.020	1.490 1.430	6	2010	2015	2020	2025					
JF-800	22	25	22 <sub>-0.033</sub>	25 <sup>+0.021</sup>						2210	2215	2220	2225				
JF-800	24	27	24 <sub>-0.033</sub>	27 <sup>+0.021</sup>						2410	2415	2420	2425	2430			
JF-800	25	28	25 <sub>-0.033</sub>	28 <sup>+0.021</sup>							2515	2520	2525	2530			
JF-800	26	30	26 <sub>-0.033</sub>	30 <sup>+0.021</sup>							2615	2620	2625	2630			
JF-800	28	32	28 <sub>-0.033</sub>	32 <sup>+0.025</sup>	+0.185 +0.040	0.218 0.040	1.980 1.920	6		2815	2820	2825	2830	2840			
JF-800	30	34	30 <sub>-0.033</sub>	34 <sup>+0.025</sup>							3015	3020	3025	3030	3040		
JF-800	32	36	32 <sub>-0.039</sub>	36 <sup>+0.025</sup>							3215	3220	3225	3230	3240		
JF-800	35	39	35 <sub>-0.039</sub>	39 <sup>+0.025</sup>						0.224 0.040			3520	3525	3530	3540	3550
JF-800	38	42	38 <sub>-0.039</sub>	42 <sup>+0.025</sup>									3820	3825	3830	3840	3850
JF-800	40	44	40 <sub>-0.039</sub>	44 <sup>+0.025</sup>				8		4020	4025	4030	4040	4050			

**JF 标准公制轴套**  
**JF Normal Metric Bushing**

单位unit:mm

型号规格 Designation	D <sub>i</sub>	D <sub>o</sub>	轴径(h8) D <sub>s</sub>	座(H7) D <sub>H</sub>	压装后 内孔公差 D <sub>i,a</sub>	配合间隙 C <sub>D</sub>	壁厚 S <sub>3</sub>	油孔 d <sub>L</sub>	B <sup>0</sup> <sub>-0.40</sub>							
									25	30	40	50	60	80	90	100
JF-800	45	50	45 <sub>-0.039</sub>	50 <sup>+0.025</sup>	+0.225 +0.080	0.264 0.080	2.460 2.400	8	4525	4530	4540	4550				
JF-800	50	55	50 <sub>-0.039</sub>	55 <sup>+0.030</sup>	+0.230 +0.080	0.269 0.080			5030	5040	5050	5060				
JF-800	55	60	55 <sub>-0.046</sub>	60 <sup>+0.030</sup>		0.276 0.080			5530	5540	5550	5560				
JF-800	60	65	60 <sub>-0.046</sub>	65 <sup>+0.030</sup>		6030			6040	6050	6060					
JF-800	65	70	65 <sub>-0.046</sub>	70 <sup>+0.030</sup>		6530			6540	6550	6560					
JF-800	70	75	70 <sub>-0.046</sub>	75 <sup>+0.030</sup>		7030			7040	7050	7060	7080				
JF-800	75	80	75 <sub>-0.046</sub>	80 <sup>+0.030</sup>		7530			7540	7550	7560					
JF-800	80	85	80 <sub>-0.046</sub>	85 <sup>+0.035</sup>	0.281 0.080				8040	8050	8060	8080				
JF-800	85	90	85 <sub>-0.054</sub>	90 <sup>+0.035</sup>	+0.235 +0.080	0.289 0.080		8530		8550	8560	8580		85100		
JF-800	90	95	90 <sub>-0.054</sub>	95 <sup>+0.035</sup>						9050	9060	9080			90100	
JF-800	95	100	95 <sub>-0.054</sub>	100 <sup>+0.035</sup>								9560	9580	9590	95100	
JF-800	100	105	100 <sub>-0.054</sub>	105 <sup>+0.035</sup>								10060	10080	10090	100100	
JF-800	105	110	105 <sub>-0.054</sub>	110 <sup>+0.035</sup>								10560	10580		105100	
JF-800	110	115	110 <sub>-0.054</sub>	115 <sup>+0.035</sup>								11060	11080		110100	
JF-800	115	120	115 <sub>-0.054</sub>	120 <sup>+0.035</sup>								11550		11580		
JF-800	120	125	120 <sub>-0.054</sub>	125 <sup>+0.040</sup>								12050	12030		120100	
JF-800	125	130	125 <sub>-0.063</sub>	130 <sup>+0.040</sup>	+0.240 +0.080	0.303 0.080								125100		
JF-800	130	135	130 <sub>-0.063</sub>	135 <sup>+0.040</sup>								13060			130100	
JF-800	135	140	135 <sub>-0.063</sub>	140 <sup>+0.040</sup>								13560	13580			
JF-800	140	145	140 <sub>-0.063</sub>	145 <sup>+0.040</sup>								14060	14080		140100	
JF-800	145	150	145 <sub>-0.063</sub>	150 <sup>+0.040</sup>							15060	15080		150100		
JF-800	150	155	150 <sub>-0.063</sub>	155 <sup>+0.040</sup>												

注：内孔公差是轴套压入 0 位座孔时的公差

Note: In addition to the above specifications of size, manufactured according to customer drawings .