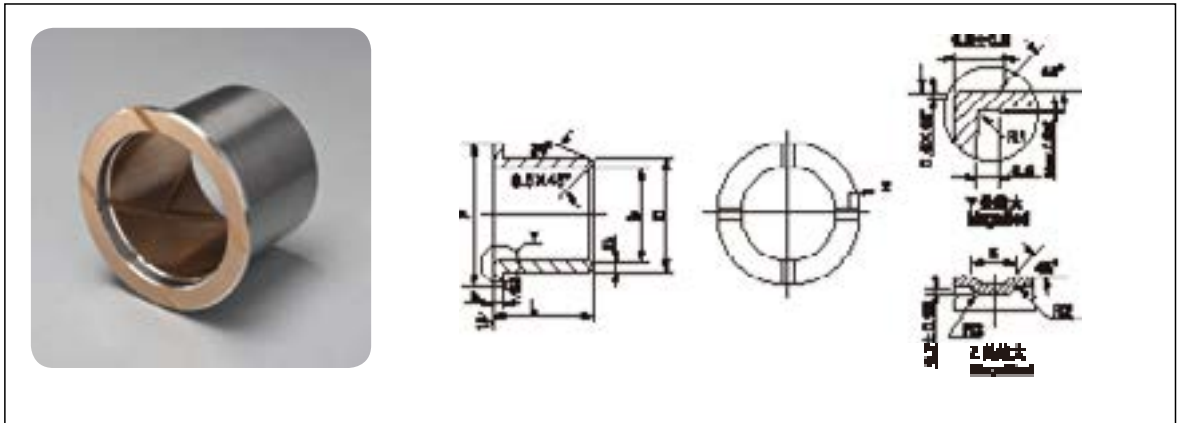


**JF 标准公制翻边轴套**  
**JF Normal Metric Flange Bushing**



单位unit:mm

规格型号 Type	F	D	d	L	h	B
4040	60	46	40	39.5	3.5	3.0
4035	62	47	40	35	3.5	3.5
4055	68	55	45	55	3.5	5.0
5040A	72	57	50	40	3.5	3.5
5040B	70	57	50	40	3.5	3.5
5050	70	57	50	50	3.5	3.5
5460	92	60.6	54	60	3.5	3.3
6053	83	67	60	53	3.5	3.5
6060	87	67	60	60	3.5	3.5
6065	77	67	60	65	3.5	3.5
6060A	88	68	60	60	4.0	4.0
6060B	87	68	60	60	4.0	4.0
6465	102.6	70.4	63.5	65	3.5	3.5
6473	103	70.8	63.8	73	3.5	3.5
6553	85	72	65	53	3.5	3.5
6564	87	72	65	64	3.5	3.5
6575	108	72	65	75	3.5	3.5
7060	93	77	70	60	3.5	3.5
7090	108	80	70	90	5.0	5.0
7560	100	82	75	60	3.5	3.5
8060	105	87	80	68	3.5	3.5
8580	127	92	85	80	3.5	3.5
85103	128	92.6	85	103.5	3.5	3.8
89126	138	97.5	89.2	126.5	4.2	4.2
95127	144	105	95	127	5.0	5.0